

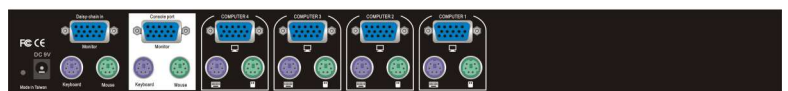
KVM SWITCH OSD



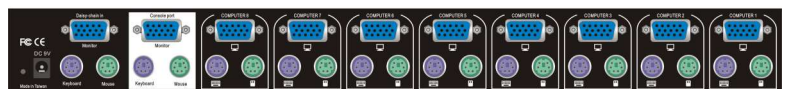
Features

- Cascadable with port capacity scalable up to 256 ports with 16 daisy-chained units
- Operation by OSD Menu, Front-panel buttons and keyboard hotkeys
- Direct channel selection by pressing corresponding push button for each port
- Password protection
- Search PC by name
- Autoscan with programmable scan delay time from 5" to 99"
- Numerical LED displays and port status LED indicators for status monitoring
- Very high video quality up to 1920 x 1440

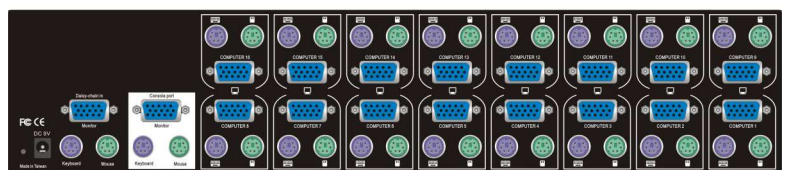
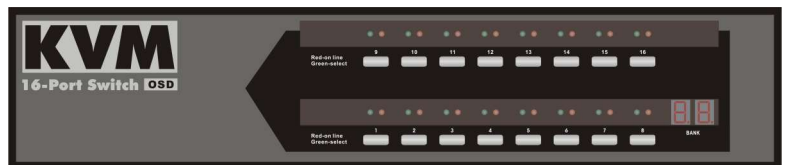
Expert in **KVM Switches** from **SOHO** to **Industrial**



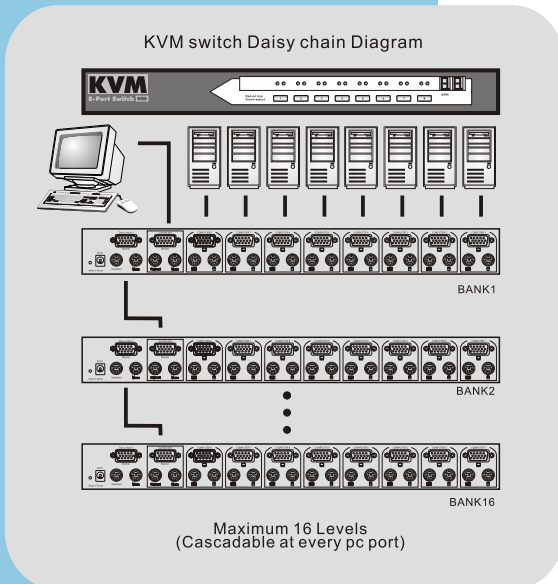
EB862



EB863



EB864



Specifications

Model Number	EB862	EB863	EB864	
PC Connections	4	8	16	
Daisy Chain	16 levels	16 levels	16 levels	
Max. PC connections	64	128	256	
OSD	Yes	Yes	Yes	
Connectors*	Keyboard	4 x PS/2 KB	8 x PS/2 KB	16 x PS/2 KB
	Mouse	4 x PS/2 MS	8 x PS/2 MS	16 x PS/2 MS
	Video	4 x VGA	8 x VGA	16 x VGA
Channel Selection	Push buttons, Hotkeys, OSD			
Numerical LED display	2			
LED indicators	8	16	32	
Autoscan delay time	5~99 programmable			
video resolution	1920 x 1440			
Housing	Metal			
Size	19 rackmount / 1U		19 rackmount / 2U	
Weight	1000g	2200g	3500g	
Dimension (LxWxH)mm	220 x 100 x 44.5 mm		410 x 165 x 86 mm	
Power (optional)	DC 9V 1A			
Safety / EMI	CE, FCC, C-TICK			

* PS/2 Keyboard and Mouse connectors are the 6-pin mini-Din female type; VGA connector is the 15-pin HDB female type.